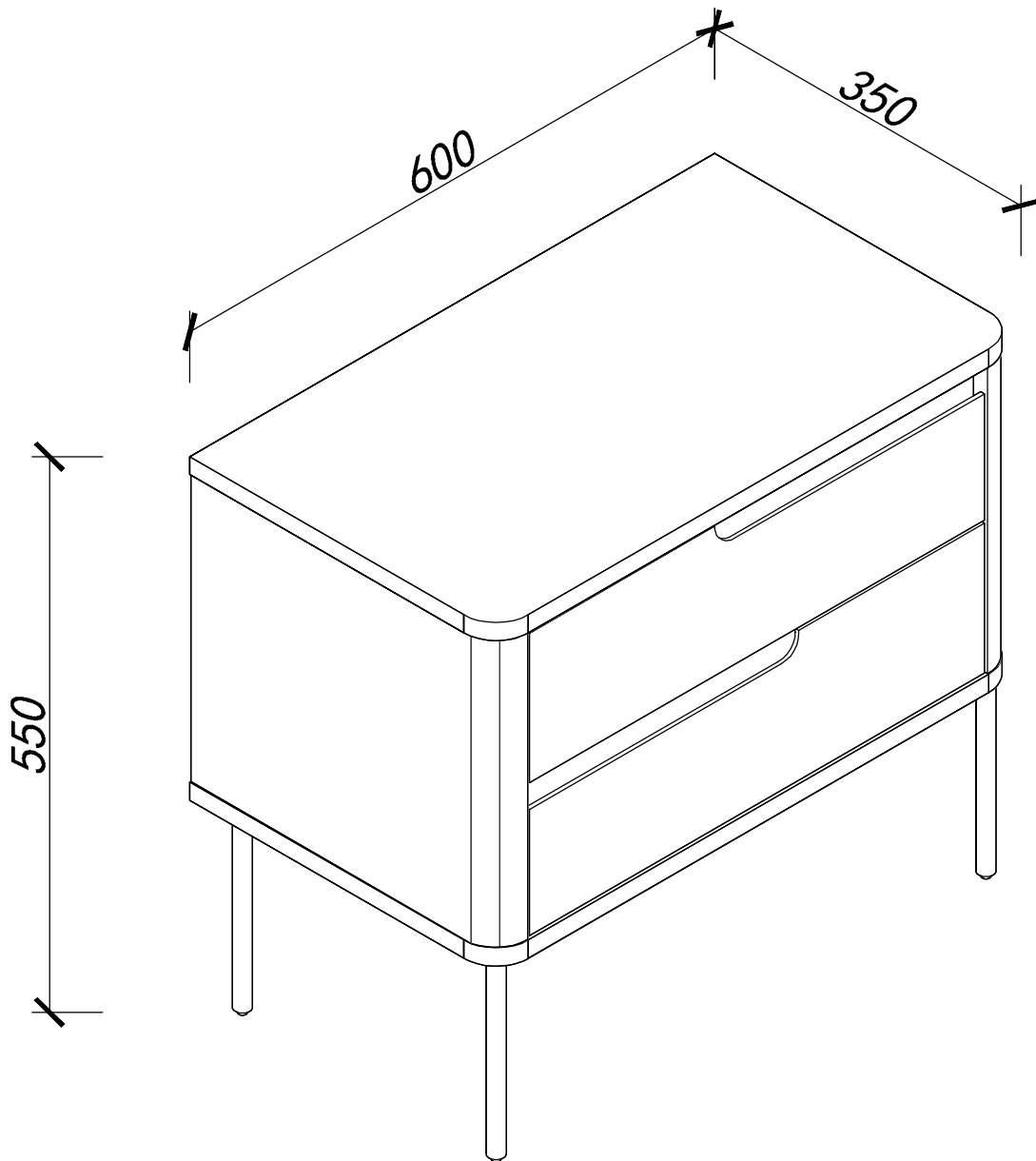
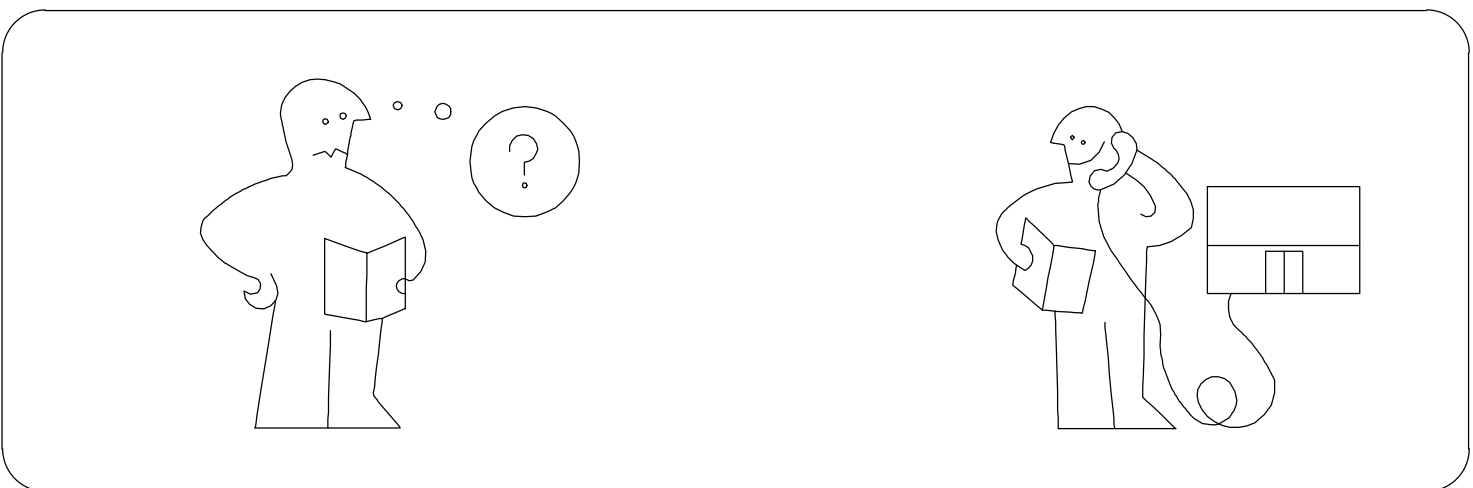
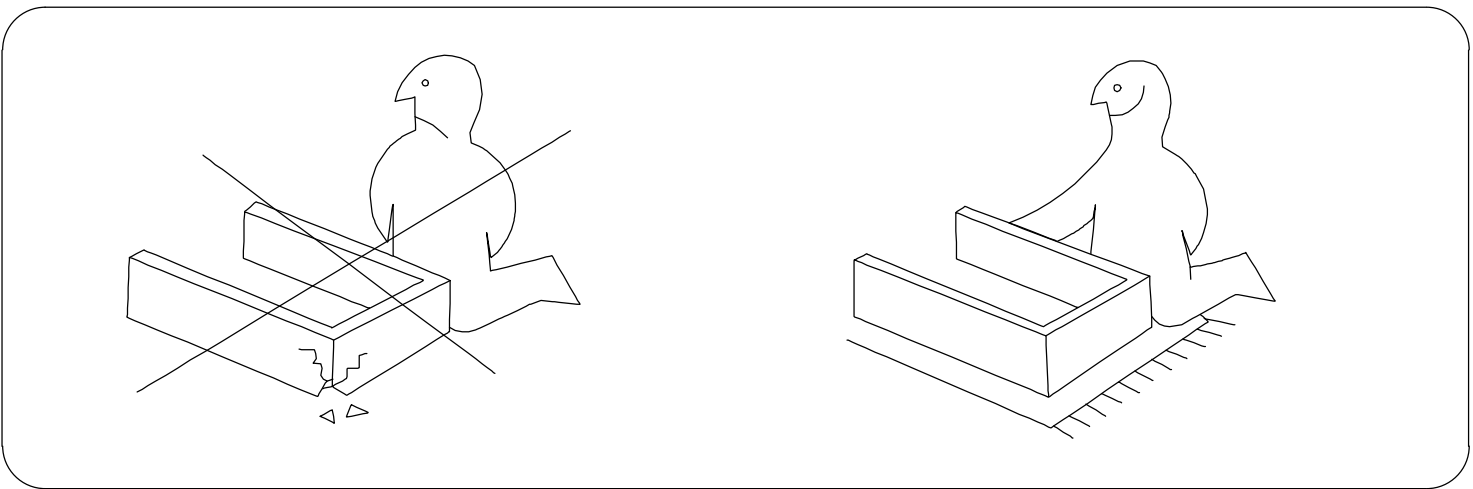
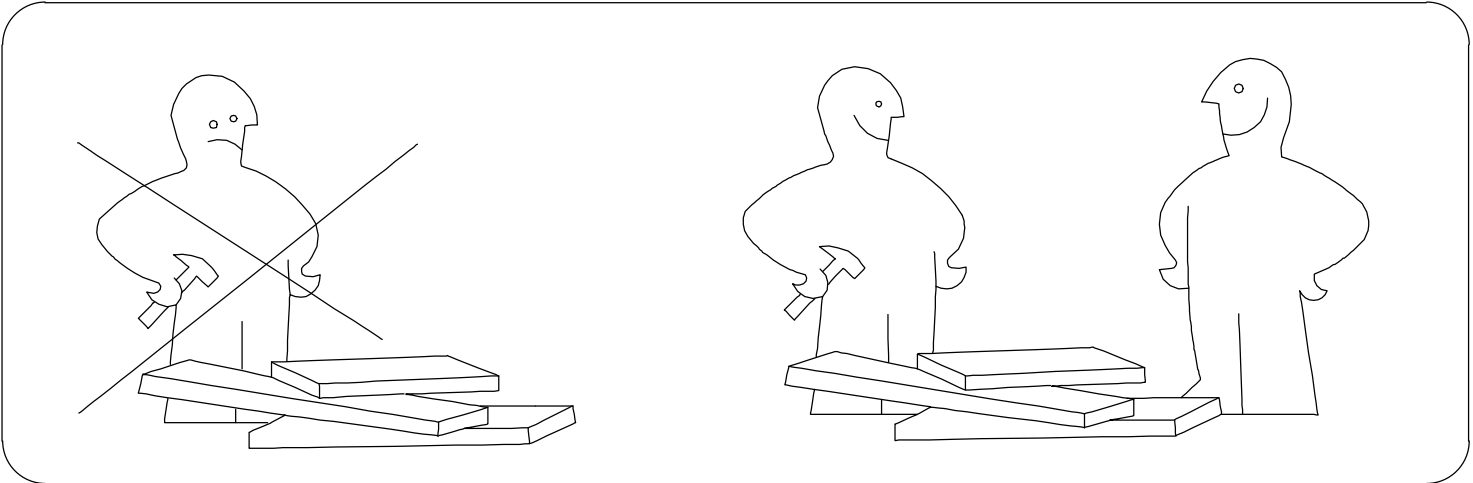
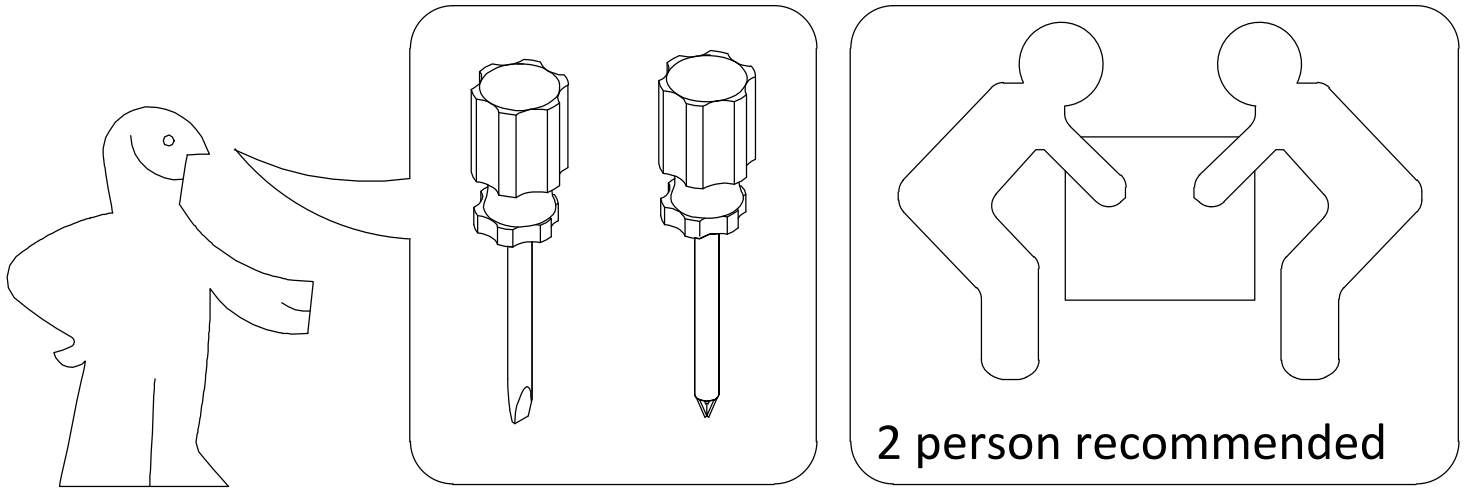


sømcasa

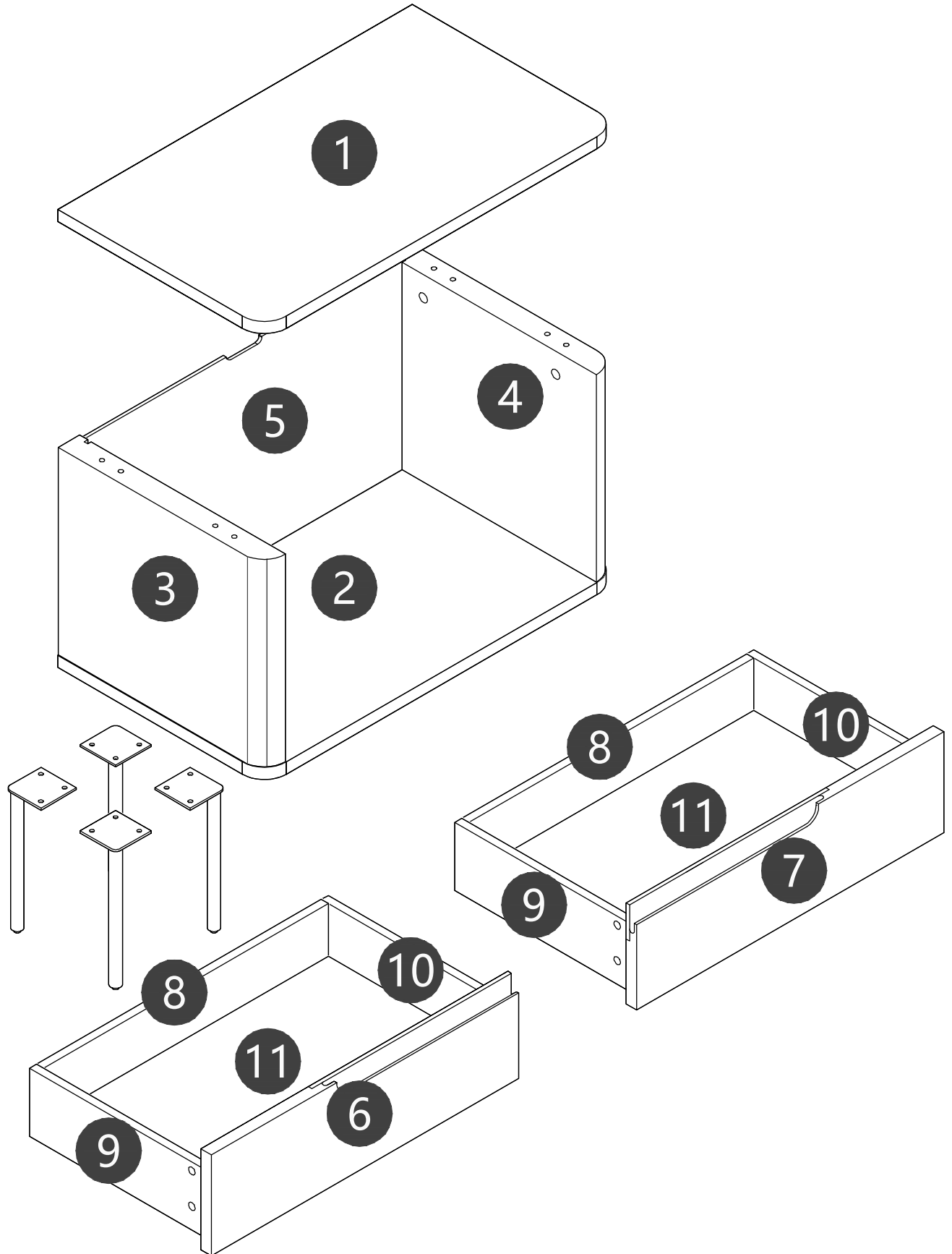
Assembly Instruction



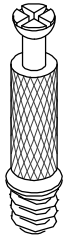


Panel No	Panel Sizes	Quantity
1	600*350*18	1
2	600*350*18	1
3	304*349*36	1
4	304*349*36	1
5	536*314*5	1
6	520*148*18	1

Panel No	Panel Sizes	Quantity
7	520*148*18	1
8	482*100*12	2
9	300*100*12	2
10	300*100*12	2
11	492*298*5	2

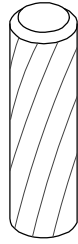


Fittings



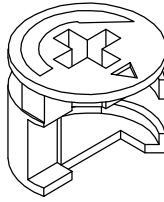
M6*40

A=4



Φ8*30

B=8



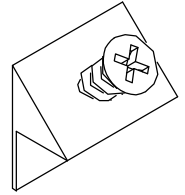
Φ15*12

C=4

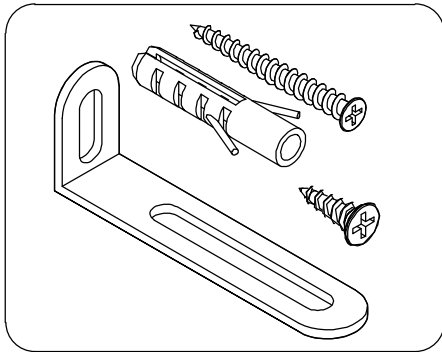


Φ21

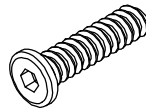
D=20



E=6

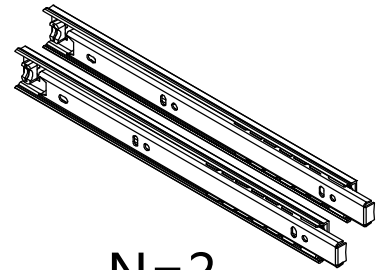


F=1



M6*16

G=12



N=2



M4

H=1



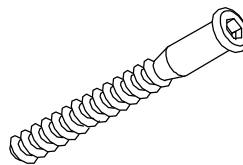
M6*34

O=16



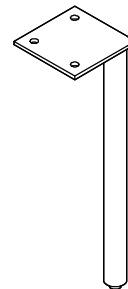
Φ12*10.5

P=16



Φ7*50

Q=4



J=4



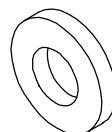
M3.5*12

V1=16



M4

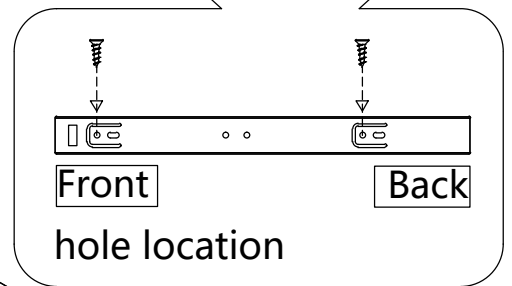
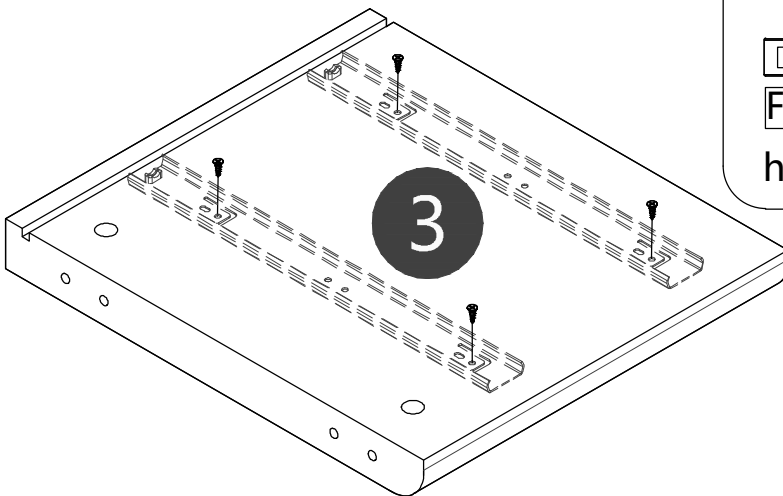
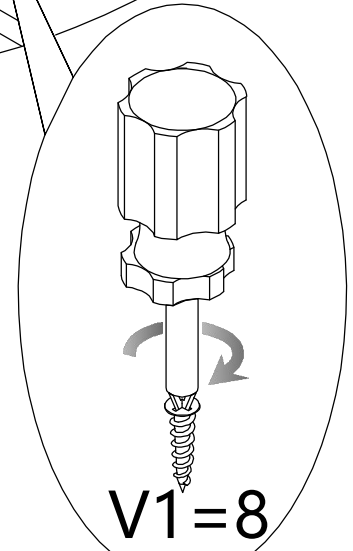
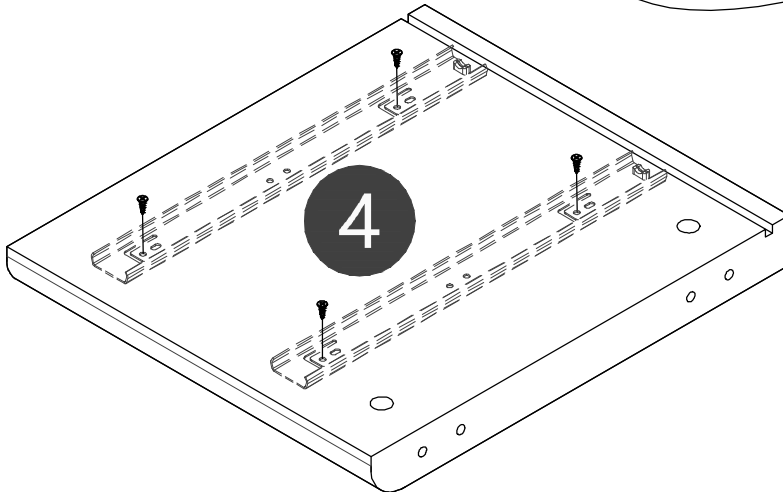
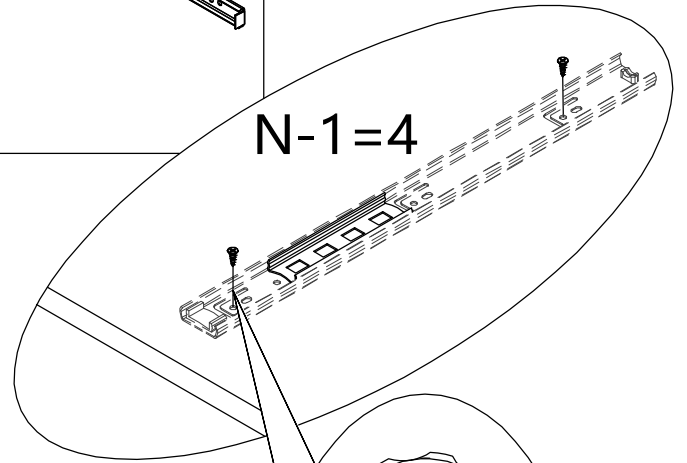
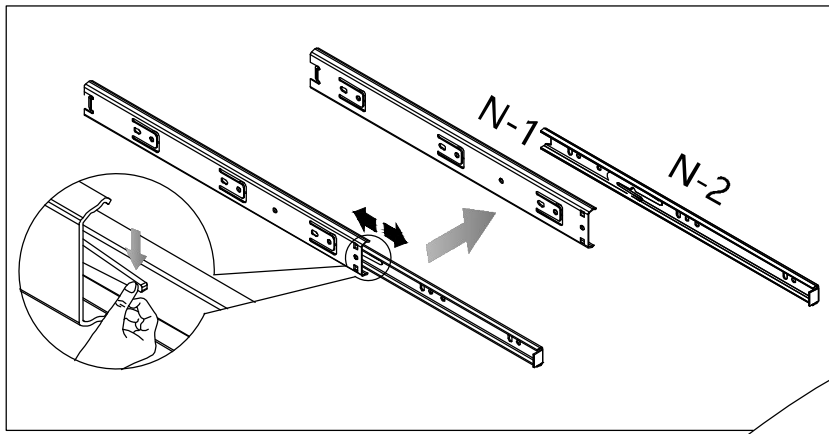
Z1=12



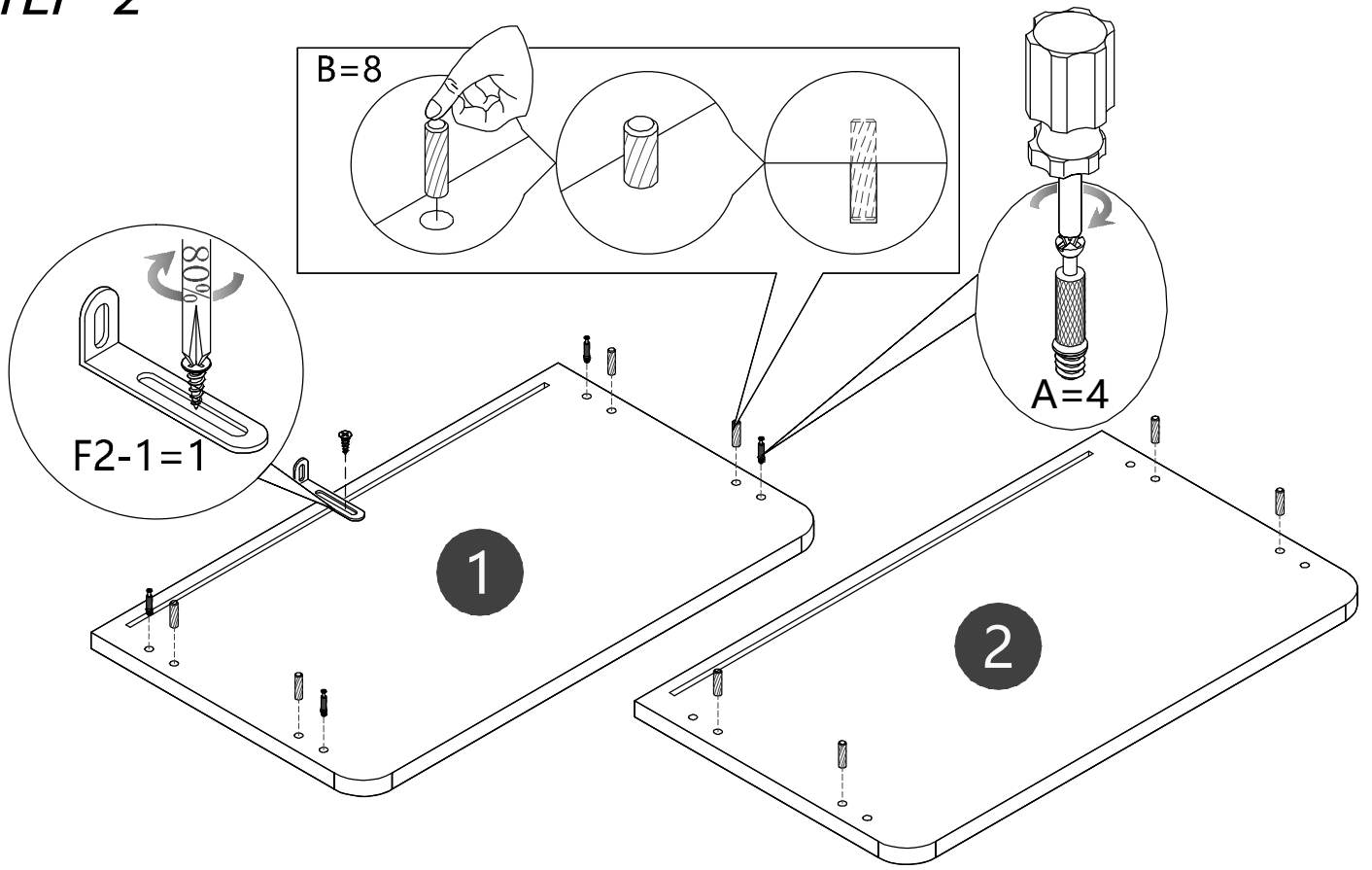
M4

Z2=12

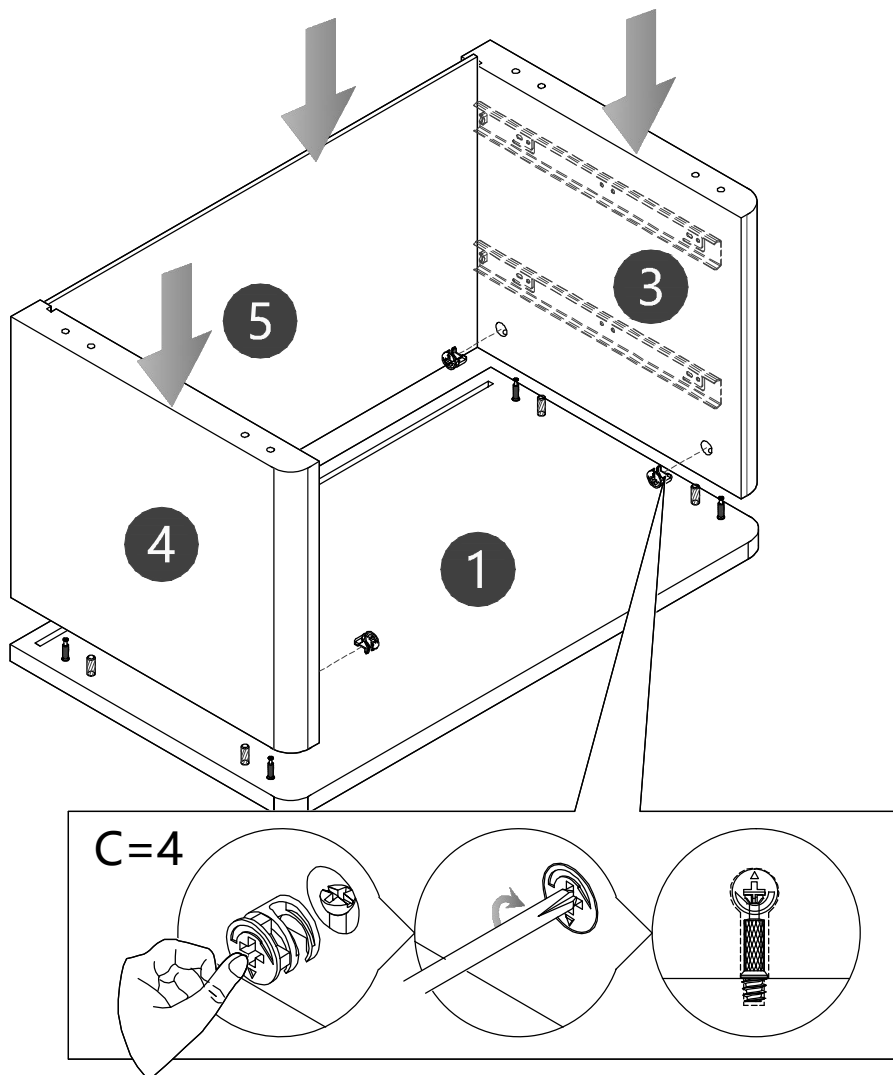
STEP 1



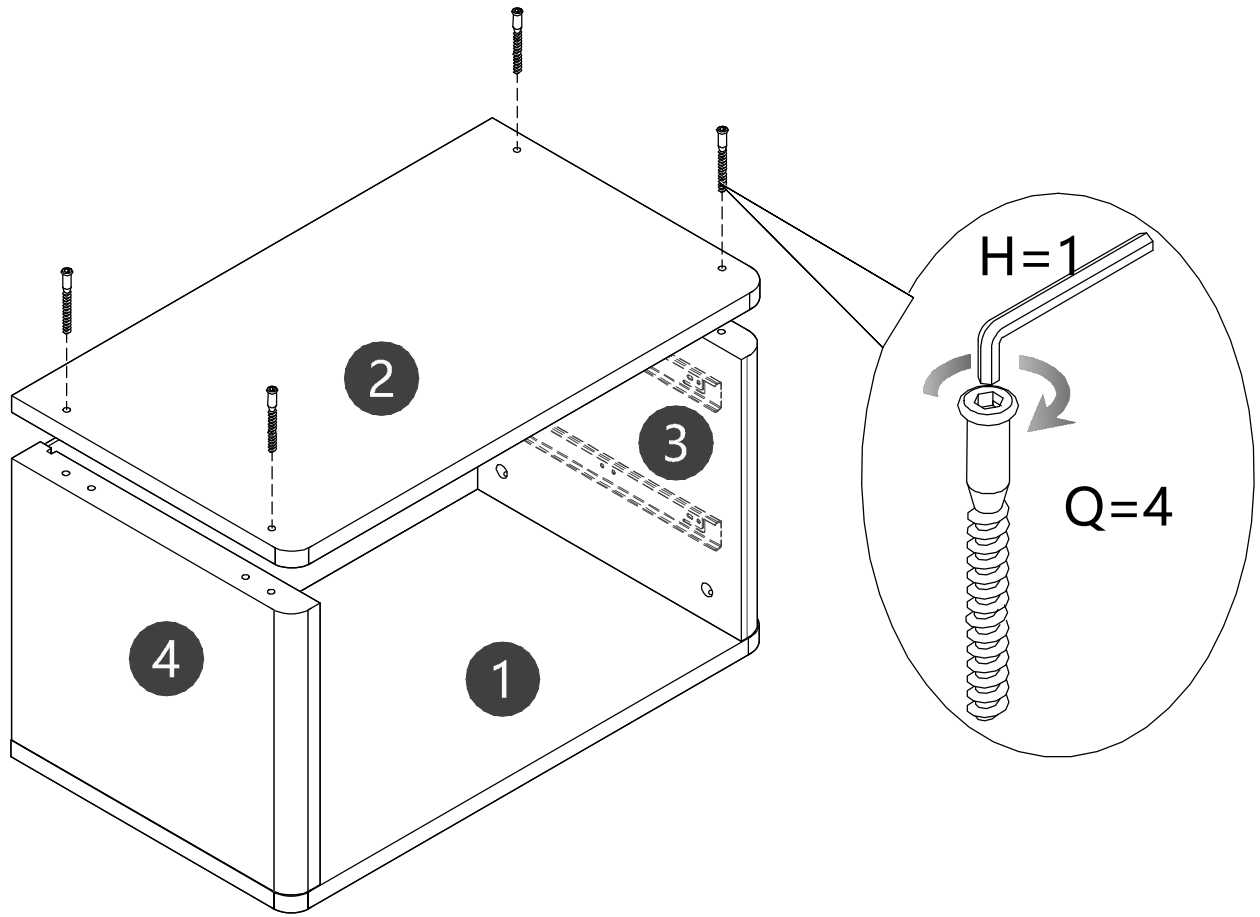
STEP 2



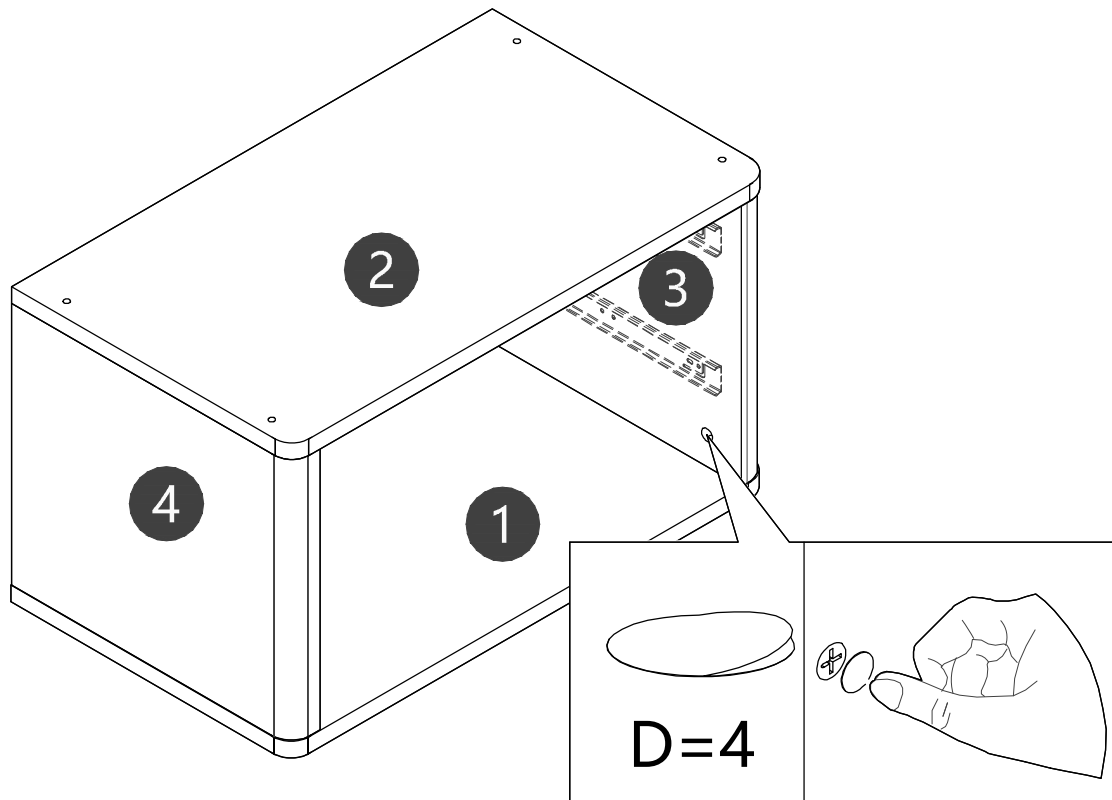
STEP 3



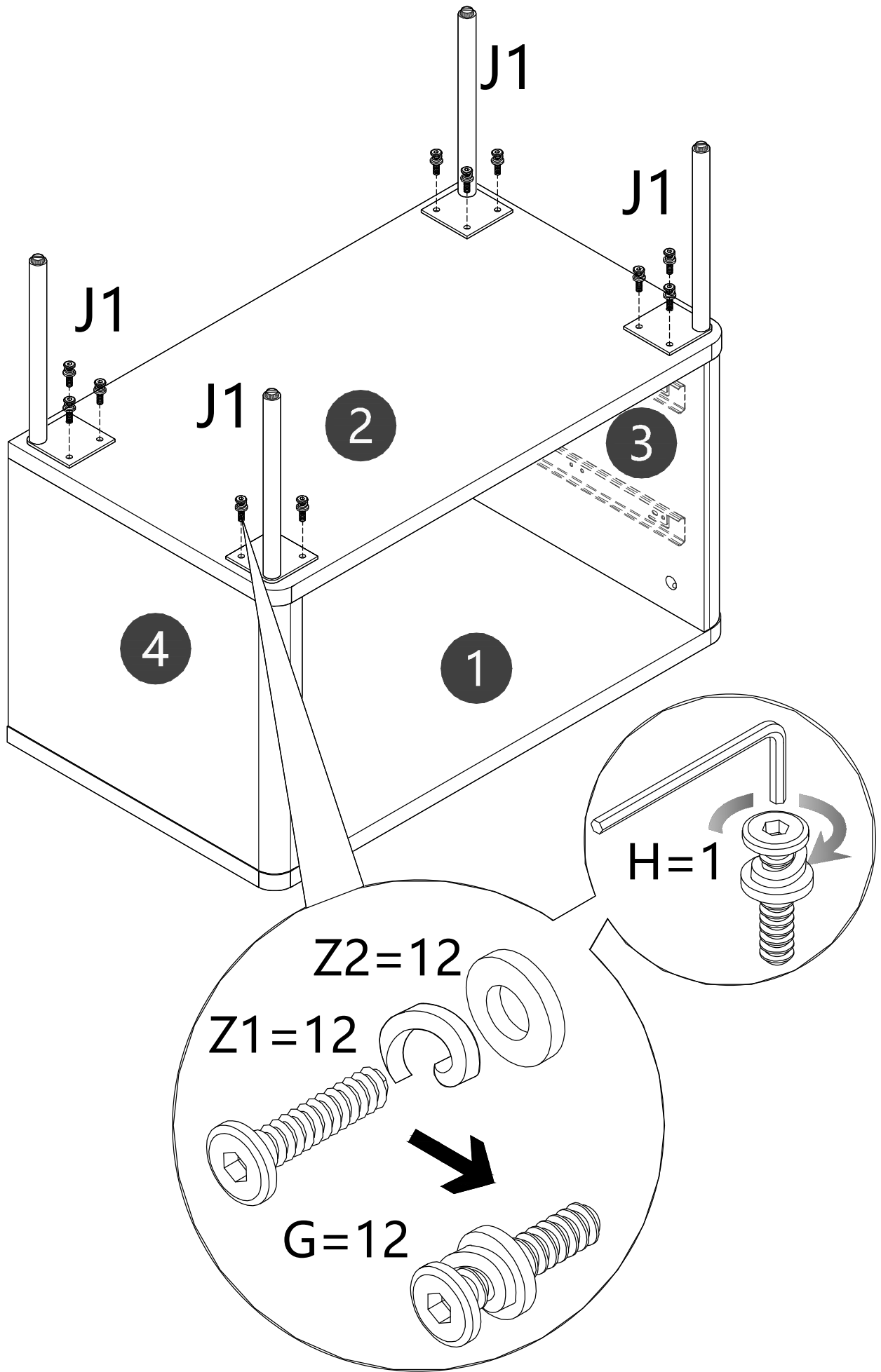
STEP 4



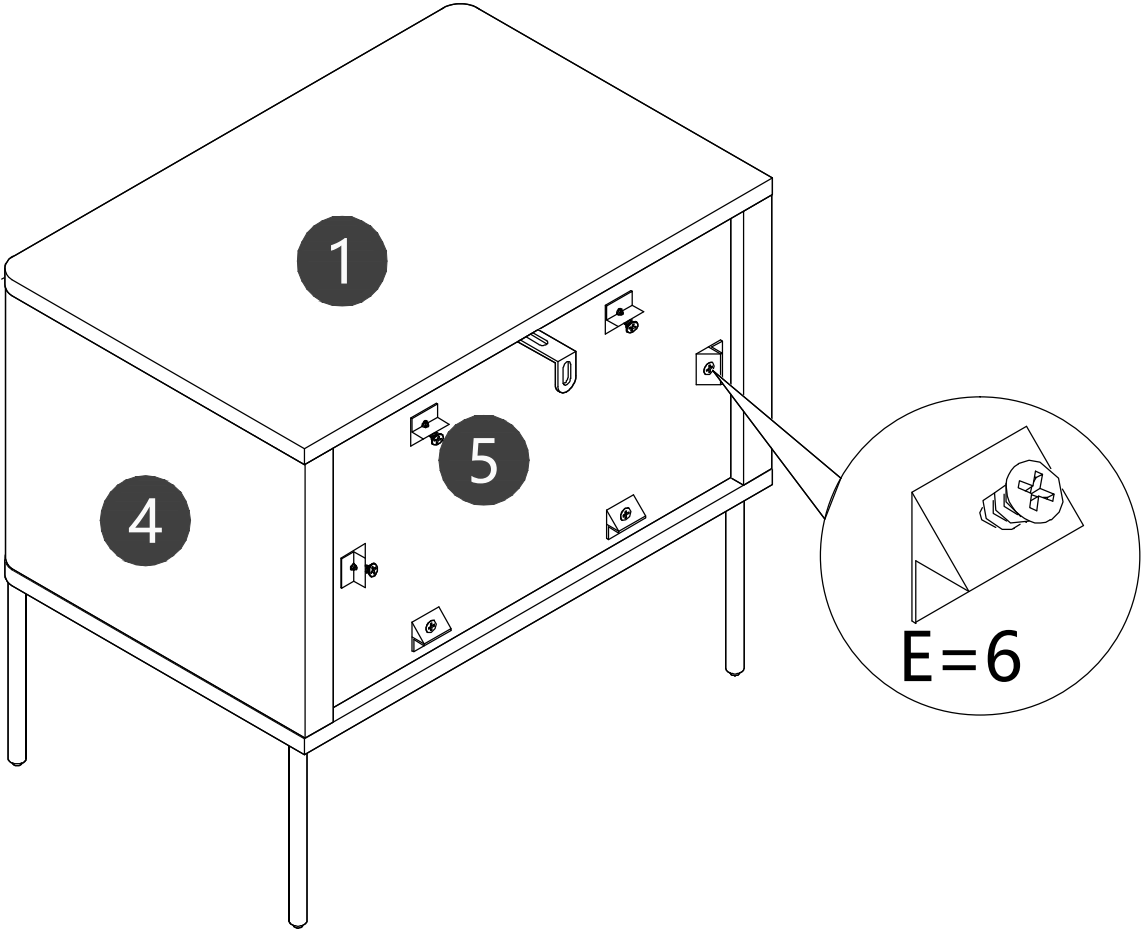
STEP 5



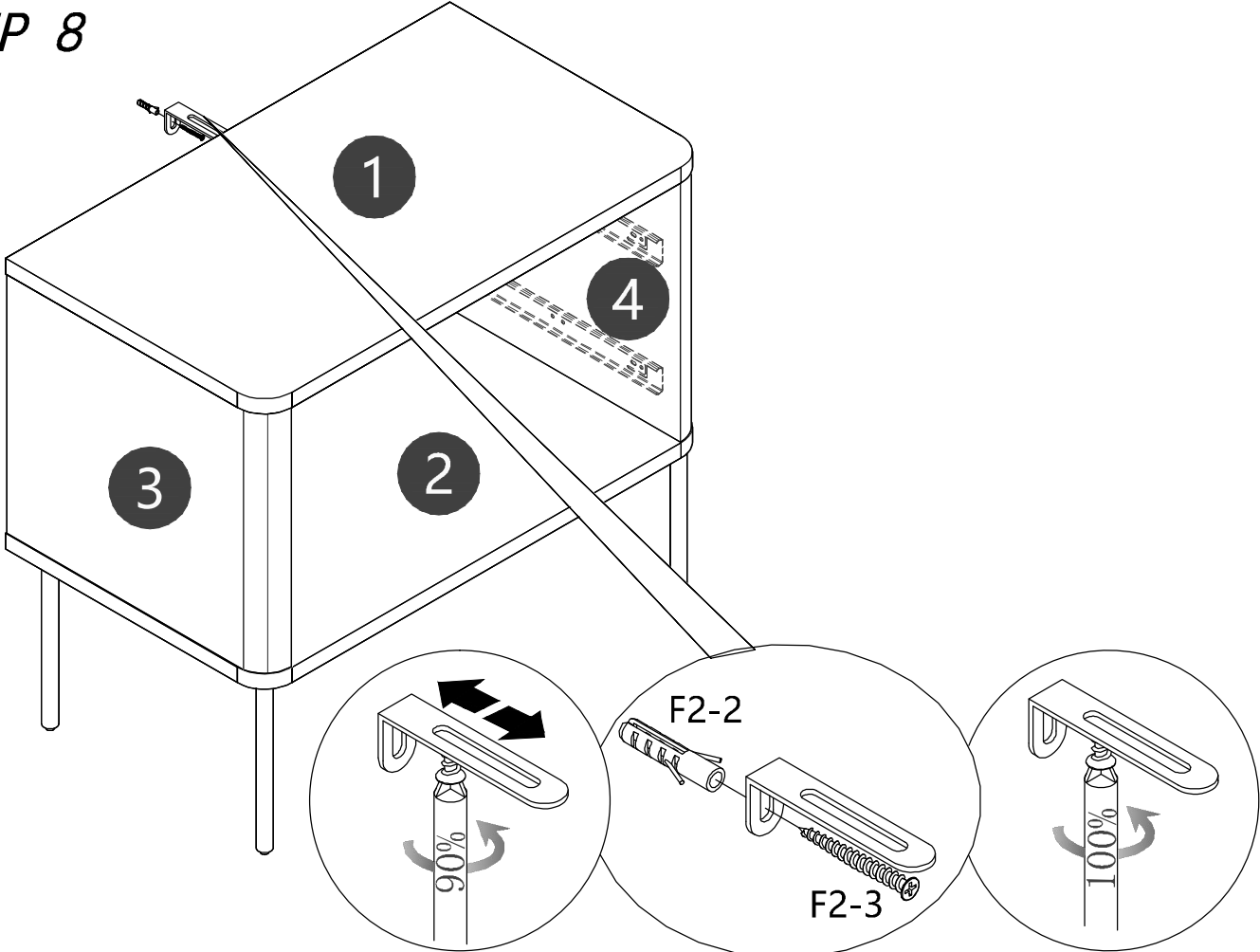
STEP 6



STEP 7

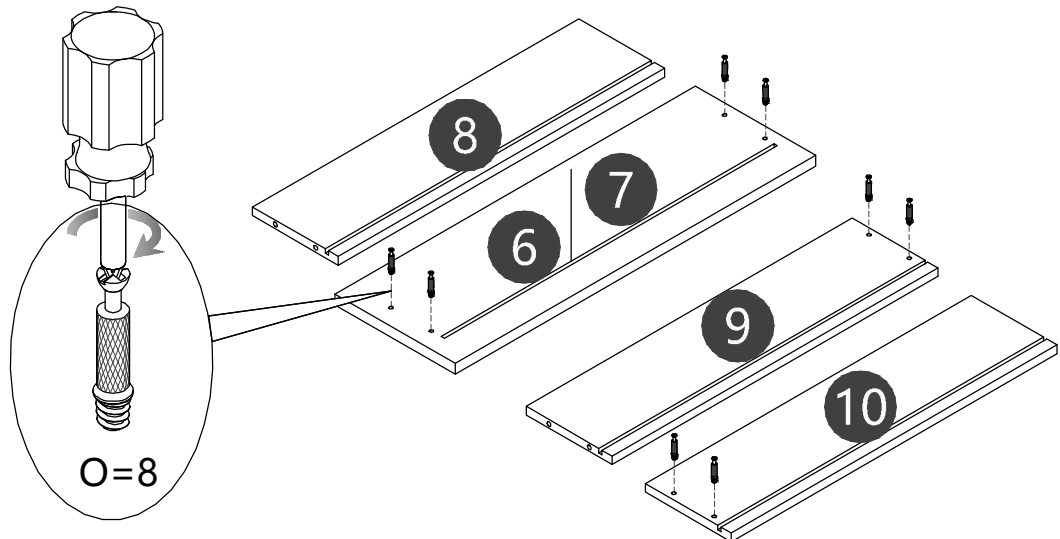


STEP 8

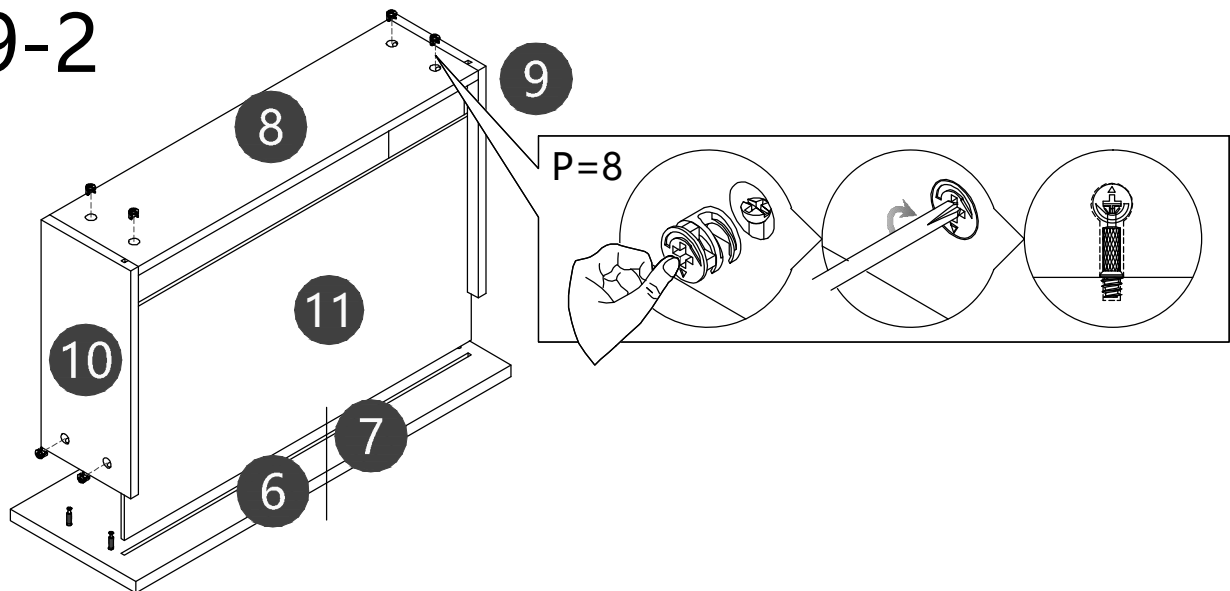


STEP 9

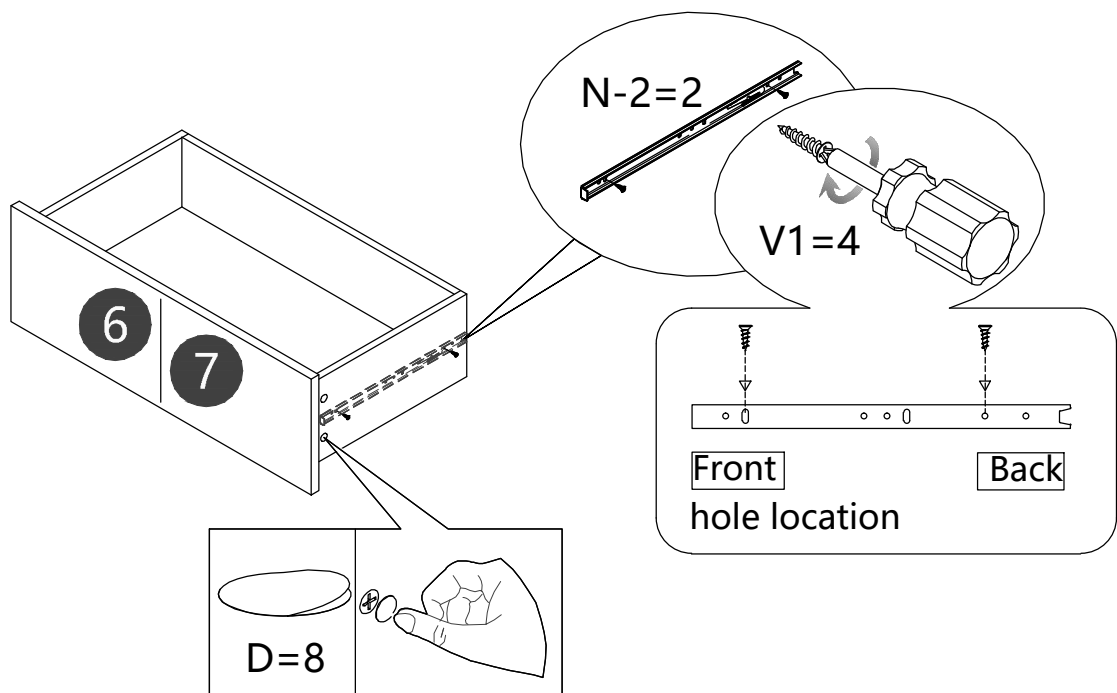
9-1



9-2

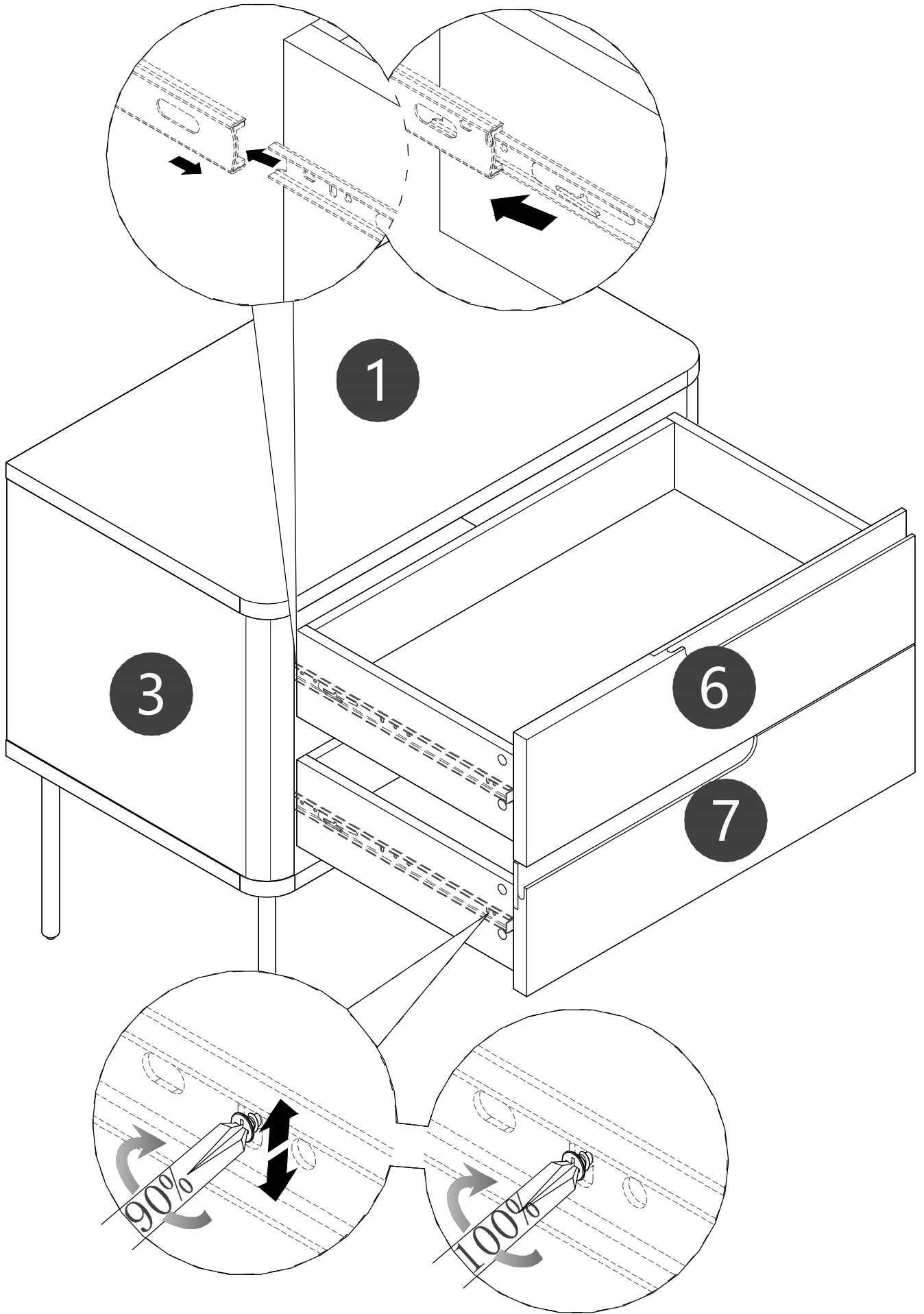


9-3

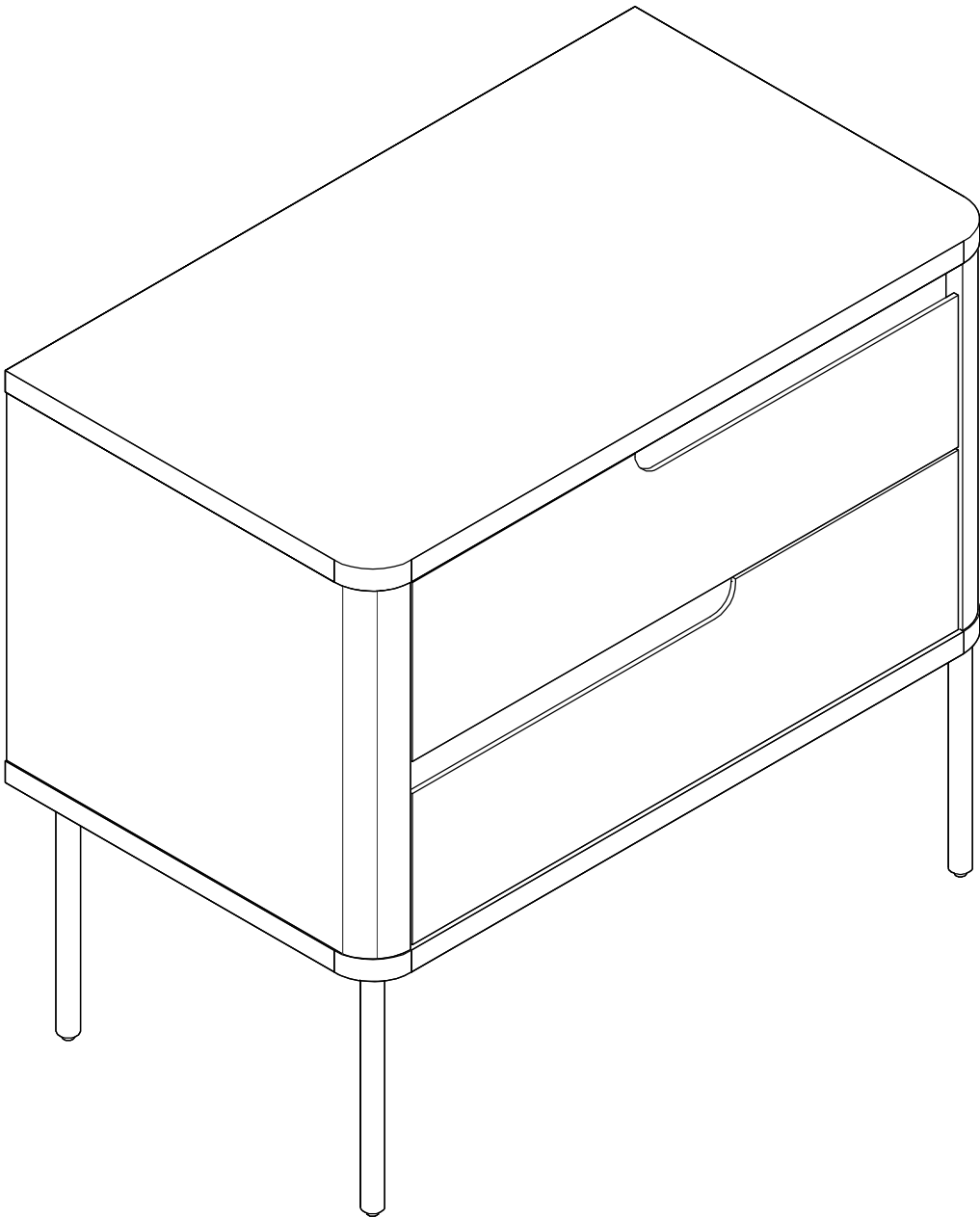


x2

STEP 10



STEP 11



Finish